



SURGICAL CHAIRS & TABLES FOR EYE- & MICROSURGERY

PRODUCT GUIDE 2026



TREATMENT TABLE

400 XL

functionalClass

Treatment table

400 XL



Item No.: 1400 0001

Highly functional, basic hydraulic treatment table. The great freedom of movement and ample legroom for optimum access to the patients. The 400 XL treatment table can be rotated by 360 degrees to also allow even lateral movements. Our entry-level model is based on a rugged and easy-to-use technology. In contrast to our electromechanical models, its function is independent of batteries. This keeps procurement costs low on the one hand and ensures a long service life on the other hand.



Can be used in any location

Easy to service and maintain

Outstanding resistance to tipping

Ergonomically shaped push handles

Designed for optimized function

Chassis

Gentle and stable hydraulic system for patient positioning. Foot pedal for hydraulic adjustment of head, back, leg part and overall up/down adjustment – guaranteed to last.



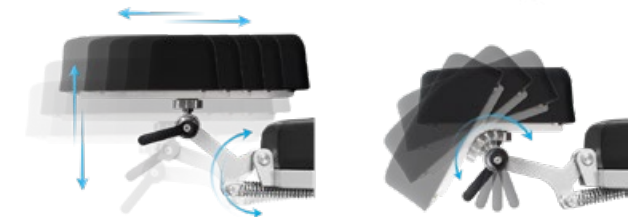
Double castors

Large double castors for easy moving and maneuvering by one person, even in confined spaces. Effortless directional stability - direction-setting castor, manually adjustable via foot pedal. Central foot brake acting on 4 castors.



Headrest

3D and longitudinally adjustable headpart with head molding and neck support for guaranteed safe and correct positioning of the head.



General

- Comfortable three-piece cover surface
- Wide and comfortable upholstery in anthracite
- Low entry height
- Suitable even for very tall patients



Technical specifications

Chassis

- Frame profile 50 x 50 mm
- Outside length 1,530 mm
- Outside width 750 mm
- Castor, electrically conductive ø 150 mm

Lifting column

- Foot hydraulic
- Height adjustment min./max. 650/1,030 mm
- Max. lifting force 2,000 N
- Leg part lifting force 1,500 N
- Back part lifting force 1,200 N
- Head part lifting force 500 N
- Operating pressure 120 bar
- Hydraulic oil, DTE 10 EXCEL 32 approx. 0.7 liter

Upper frame

- 3-part support frame (head, back, leg part)
- Upholstery 80 mm
- Length 1,930 – 2,060 mm
- Width 700 mm
- Head part angle adjustment $-28^{\circ}/+21^{\circ}$
- Back part angle adjustment $-13^{\circ}/+58^{\circ}$
- Leg part angle adjustment $0^{\circ}/+13^{\circ}$
- Trendelenburg -13°
- Height adjustment range 380 mm
- Standard stainless steel side rails, both sides 25 x 10 mm
- Entry height 650 mm
- Legroom surgeon 500 – 880 mm

Max. load 175 kg

Weight 140 kg

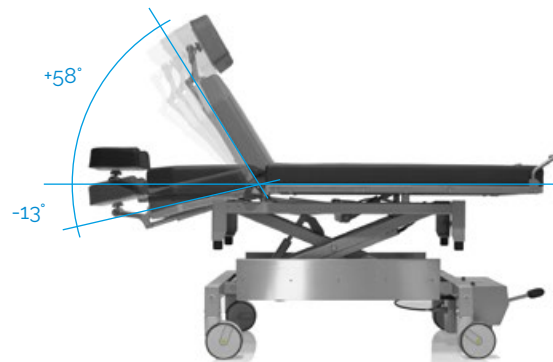
Subject to technical modifications.

Technical dimensions

Trendelenburg



Back part



Height adjustment



Specifications in mm

Components



400 XL
Item No.: 1400 0001

Upholstery/color card

Standard color anthracite Item No.: 3037 0052

You can find additional colors on the color card „skai®Tundra“ on page 93



Head part bumper stainless steel

Item No.: 3028 0000



Wrist rest, adjustable, incl. mounting plate 3013 0000, adjustment 115 mm

Item No.: 3014 0000



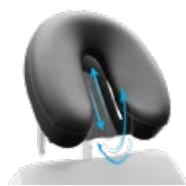
Wrist rest, adjustable, tiltable, incl. mounting plate 3013 0000, adjustment 115 mm

Item No.: 3014 0005



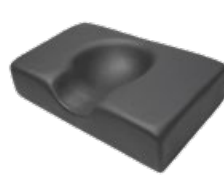
Mounting plate stainless steel, for wrist rest 3014 0000 and 3014 0005

Item No.: 3013 0000



Facial pillow, horseshoe-shaped, incl. adapter plate, factory-fitted

Item No.: 3351 1016



Head fixation pillow with hollow (rubins pillow), 410x250 mm, height 100 mm, factory-fitted

Item No.: 3022 0000



Anesthesia arm board with universal joint, incl. mounting clamp

Item No.: 3011 0000



Medical device



Instrument table *supportLine* height adjustable 735–1,000 mm

Item No.: 3351 0026



Side parts right and left, 580x200 mm, incl. quick-release clamp for mounting on norm rail

Item No.: 3351 0050



Knee half roll, 600x280x140 mm, PUD-coated

Item No.: 3019 0000



Knee roll round, 500x150 mm, PUD-coated

Item No.: 3050 0000



Wrist secure straps, pair

Item No.: 3015 0000



Body strap silicone incl. clamp

Item No.: 3351 1044



Body strap with Velcro straps, 2-piece

Item No.: 3083 0000



Mounting clamp stainless steel

Item No.: 3026 0000



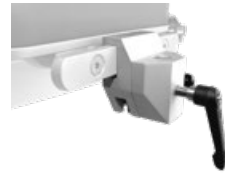
Flexible surgical drape support rod, with air connection (mounting clamp 3090 0000 not included)

Item No.: 3033 0000



Flexible surgical drape support rod (mounting clamp 3090 0000 not included)

Item No.: 3032 0000



Mounting clamp polished aluminium, with quick clamp lever for norm rail 25x10 mm, incl. locking device

Item No.: 3090 0000

Color card

skai® Tundra



High quality skai® material with fine calf leather grain and subdued matte-gloss-effect. The very extensive and trend-orientated color spectrum enables many applications and combinations.

Product Specification

- Long-lasting
- Tear resistant
- Easy to clean
- Abrasion resistant (DIN EN ISO 5470-2)
- Lightfast
- Disinfectant resistant
- Biocompatibility: cytotoxicity (EN ISO 10 993-5) and epicutaneous test (EN ISO 10 993-10)
- Blood- and urine resistant
- Phthalate-free
- Vegan

<i>eyeForce</i>	1800 0000
<i>500 XLE</i>	1500 0006
<i>500 XLE comfort</i>	1500 0006
	+ 3037 0080
<i>500 XLS</i>	1500 0005
<i>500 ECO</i>	1500 0008
<i>400 XL</i>	1400 0001
<i>surgiForce</i>	Formed seat 2600 0008
<i>surgiForce light</i>	Formed seat 2600 0009
<i>surgiLine</i>	Formed seat 2200 0008
<i>assistLine</i>	2400 0015
<i>motionLine</i>	1700 0000

+ Item No.: 3037 0...

weiß F6461198 Item No.:134	creme F6461210 Item No.:057	beige F6461636 Item No.:094	sand F6461230 Item No.:058	pistazio F6461610 Item No.:153	mint F6461495 Item No.:067	aqua F6461456 Item No.:001	türkis F6461338 Item No.:008
perle F6461288 Item No.:007	silber F6461550 Item No.:070	stone F6461608 Item No.:075	bleu F6461496 Item No.:068	dolphin F6461609 Item No.:076	sky F6461581 Item No.:073	royal F6461196 Item No.:051	atoll F6461453 Item No.:062
violett F6461356 Item No.:059	cyclame F6461381 Item No.:119	orchidee F6461354 Item No.:011	bordeaux F6461350 Item No.:010	kirsche F6461199 Item No.:054	feuer F6461454 Item No.:063	karneol F6461557 Item No.:072	orange F6461556 Item No.:071
apricot F6461458 Item No.:066	mais F6461457 Item No.:065	mango F6461607 Item No.:074	safran F6461542 Item No.:069	limonade F6461343 Item No.:009	limone F6461543 Item No.:109	smaragd F6461455 Item No.:064	agave F6461273 Item No.:006
chrom F6461205 Item No.:056	ocean F6461204 Item No.:055	schoko F6461357 Item No.:060	schwarz F6461195 Item No.:050	anthrazit F6461197 Item No.:052			

The colors displayed on your device may differ slightly from the original colors. If you wish to receive original color charts, please contact us at info@ufsk-osys.com.

Upgrade your OR to perfection.



eyeForce



500 XLE



500 XLE comfort



500 XLS



500 ECO



400 XL



motionLine



surgiForce



surgiForce light



surgiTrend



surgiLine



stayClean



stayClean roll



stayClean kick bucket



stayClean collector



assistTrend



assistPro F



assistPro H



easyPro F



easyLine F



easyLine R



assistLine



supportLine



CONTACT US

UFSK-International OSYS GmbH
Kirchhoffstraße 1
93055 Regensburg
Germany

Tel. +49 (0) 941 78862 15
Fax +49 (0) 941 78862 35
E-Mail info@ufsk-osys.com
Web ufsk-osys.com

MADE IN GERMANY
Design | Construction | Manufacturing