

Technical specifications



Chassis

- Frame profile 60 x 30 mm
- Length chassis incl. lever 1,020 mm
- Width chassis outside 710 mm
- Outside width incl. arm rests 830 mm
- White paint finish
- Central brake, operable from both sides
- 2 pcs. double castors \varnothing 100 mm
- 2 pcs. rigid castors \varnothing 150 mm
- Foot keypad, removable
(for overall/back part/seat adjustment;
reset button; auto-run function; 3 memory positions)
- Emergency stop button
- With equipotential bonding connection

Upper frame

- 4-part support frame (head, back, seat, leg part)
- Length 1,930 – 2,160 mm
- Width of upholstery 610 mm
- Entry height 580 mm
- Removeable upholstery

| | Angle | Dimensions (L x W) |
|---------------------|----------|--------------------|
| • Head part | 0°/+180° | 275 x 280 mm |
| • Back part | 0°/+84° | 610 x 610 mm |
| • Seat part | -3°/+32° | 510 x 600 mm |
| • Leg part | 0°/-70° | 490 x 525 mm |
| • Height adjustment | | 580 – 860 mm |
| • Armrests | 0°/+180° | 455 x 75 mm |

Electrical control

- All components according to IP54
- Hand control with 8 individually programmable memory positions, auto run function, reset button
- Foot keypad

Electric Drives

- Back, seat, leg part, total up/down
- Shock position

Lifting column

- Max. lifting 280 mm
- Max. load 200 kg
- Motors IP54 with HAL sensors, to be memorized

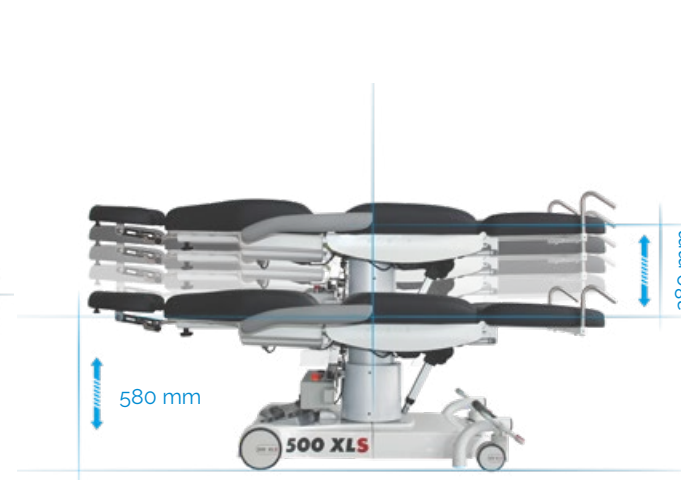
Seat part



Back part/leg part



Height adjustment



Powerful accumulators

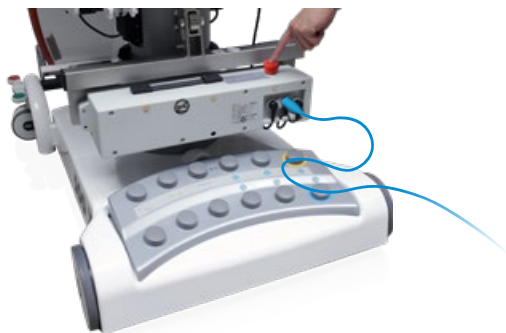
- Battery box with 2 batteries (lead-gel), pollution free, maintenance-free, cadmium-free 2 x 12 V, 7,2 Ah
- As back-up-system exchangeable without tools
- Acoustic low voltage signal for discharge protection
- Universal battery charger Input: 100–240 V Output: 30 V

Operating time per battery charge

- Measured by operating circle (Prepare-Operate-Recover) 100 OPs
- Quantity of operating circles depends on individual operation

Mains-free operation

Easy recharging of the equipment thanks to charging adapter and integrated battery charger circuit board.



Simple battery replacement

Additional safety due to replaceable battery box (back-up system **Item No.:** 3047 0000). Discharged battery box can be replaced quickly.



Further technical details

- Chair has detachable, swiveling armrests made completely with PUR foam
- All touchable metal parts are grounded
- Detachable seat for service friendly access to electric components

Max. load 200 kg

Weight 100 kg

Subject to technical modifications.

Equipment protection

Cover drape *stayClean*

2,000 x 730 mm, box á 160 Pieces
4 x 40 Pieces

Item No.: 3034 0014

Page 64



Upholstery/color card

Standard color anthracite **Item No.:** 3037 0052

"skai Tundra"
Page 102

"skai Pandoria Plus"
Page 103

