

Technical specifications



Chassis

- Frame profile 90 x 50 mm
- Length chassis outside 935 mm
- Width chassis outside incl. lever 850 mm
- Zinc-plated and powder-coated according to RAL
- Central brake on both sides works on all four castors. The direction of two castors can be independently adjusted.
- Double rimmed castors \varnothing 150 mm
- Detachable foot keypad (total, head up / down)
- Emergency stop button
- Visible screws are made of stainless steel

Frame

- 4-part support frame (head, back, seat, leg part)
- Length 1,880 – 1,940 mm
- Width 760 mm
- Width incl. armrest 1,030 mm
- Entry height 620 mm
- Removeable upholstery

| | Angle | Dimensions (L x W) |
|---------------------|----------------------------------|--------------------|
| • Head part | -29° / +31° | 255 x 245 mm |
| • Back part | 0° / +85° | 610 x 760 mm |
| • Seat part | -6° / +35° | 450 x 760 mm |
| • Leg part | 0° / -70° | 510 x 760 mm |
| • Height adjustment | | 680 – 940 mm |
| • Armrests | 0° / +180° | (2 x) 470 x 75 mm |
| • Trendelenburg | -35° / Reverse Trendelenburg +6° | |

Electrical control

- All components according to IPX4
- Hand control with 3 individually programmable memory positions and reset button
- Foot keypad with 4 foot switches

Electric Drives

- Head, back, seat, leg part, total up/down
- Trendelenburg / Reverse Trendelenburg

Lifting column

- Max. lifting 260 mm
- Max. load 350 kg
- Motors IPX4 with reed contacts, to be memorized

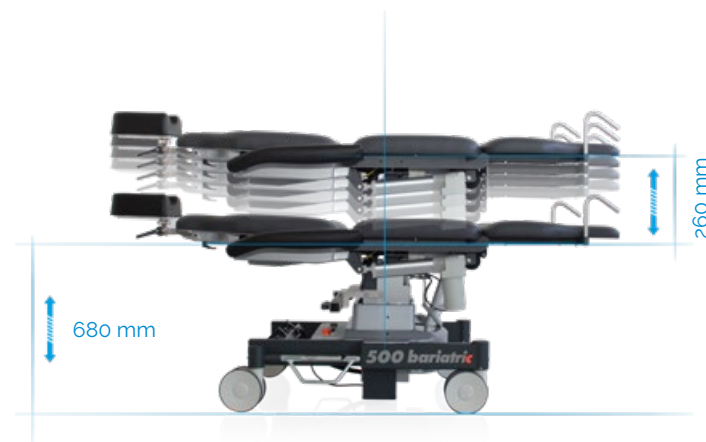
Trendelenburg / Reverse Trendelenburg



Back part / Leg part



Height adjustment



Powerful accumulators

- Battery box with 2 batteries (lead-gel), pollution free, maintenance-free, cadmium-free 2 x 12 V, 7,2 Ah
- As back-up-system exchangeable without tools
- Acoustic low voltage signal for discharge protection
- Universal battery charger Input: 100-240 V Output: 24 V

Operating time per battery charge

- Measured by operating circle (Prepare-Operate-Recover)
- Quantity of operating circles depends on individual operation

80 OPs

Further technical details

- Chair has detachable, swiveling armrests made completely with PUR foam
- All touchable metal parts are grounded
- Detachable seat for service friendly access to electric components

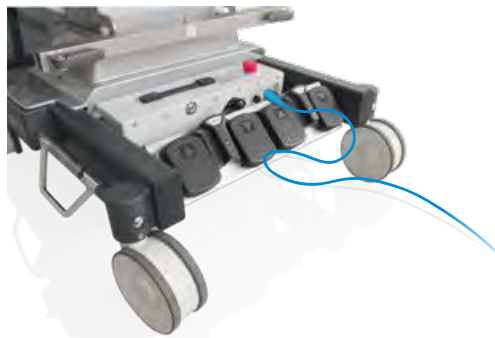
Max. Load 350 kg

Weight 145 kg

Subject to technical modifications.

Mains-free operation

Easy recharging of the equipment thanks to charging adapter and integrated battery charger circuit board.



Equipment protection

Cover drape *stayClean*

2,000 x 730 mm, box á 160 Pieces
4 x 40 Pieces

Item No.: 3034 0014

Page 70



Simple battery replacement

Extra security thanks to exchangeable battery box. Easy replacement of discharged battery boxes.



Colour card

Standard colour anthracite Item No.: 3037 0052

"Tundra skai"
Page 108

"Pandoria Plus"
Page 109

