



500 XLS

TREATMENT CHAIR



E

ENJOY QUALITY AND DESIGN

500 XLS

Art. Nr. : 1500 0005

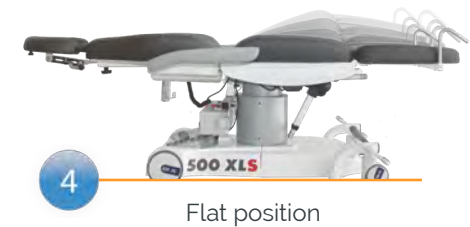
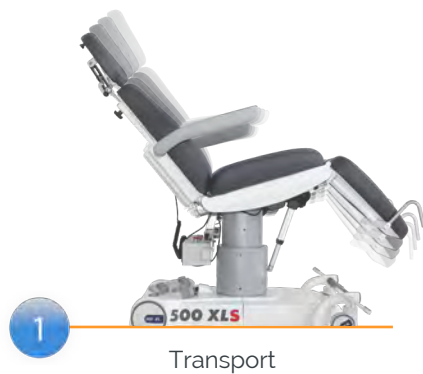
Perfect for oral and maxillo-facial surgery treatments, with multifunctional horseshoe-shaped headrest element. For comfortable patient positioning for applications and treatments requiring prone patient positioning.

Our specialist
for ENT treatment



Positioning

Standard recommended memo keys



Precise positioning of the head part

Headrest

Multifunctional headrest element featuring two-dimensional and longitudinal adjustment. Horseshoe shape also allows treatments in prone position.



Braking system

Mechanical. Easy to handle.

Rugged moving gear featuring 2 central braking steering castors and 2 rigid castors for high stability combined with easy maneuverability.



Positioning by hand control

Multi-functional manual control

- Battery charge indicator
- Reset button
- CPR button
- Auto run function
- 8 free configurable memory positions



CPR

AUTO

MEMORY

NEW



Positioning by foot control

Removable foot keypad

for back, seat and height adjustment, including on-off button, 3 memory positions, and a reset key.



Technical specifications



Chassis

- Frame profile 60 x 30 mm
- Outside length 1.020mm
- Outside width 710mm
- Outside width incl. arm rests 830 mm
- White paint finish
- Central brake, operable from both sides
- 2 pcs. double castors \varnothing 100 mm
- 2 pcs. rigid castors \varnothing 150 mm
- Foot keypad, removable
(for overall / backrest / seat adjustment;
reset button; auto-run function; 3 memory positions)
- Emergency stop button
- With equipotential bonding connection

Trendelenburg / Reverse Trendelenburg

Upper frame

- 4-part support frame (head, back, seat, leg part)
- Length 1.930 – 2.160 mm
- Width of upholstery 610 mm
- Entry height 580 mm
- Removeable upholstery

	Angle	Dimensions (L x W)
- Head part	0° / +180°	275 x 280 mm
- Back part	0° / +84°	610 x 610 mm
- Seat part	-3° / +32°	510 x 600 mm
- Leg part	0° / +70°	490 x 525 mm
- Height adjustment		von 580 – 860 mm
- Armrests	0° / +180°	455 x 75 mm

Back part / Leg part

Electrical control

- All components according to IP54
- Manual keypad with 8 individually programmable memory positions, auto run function, reset button
- Foot keypad

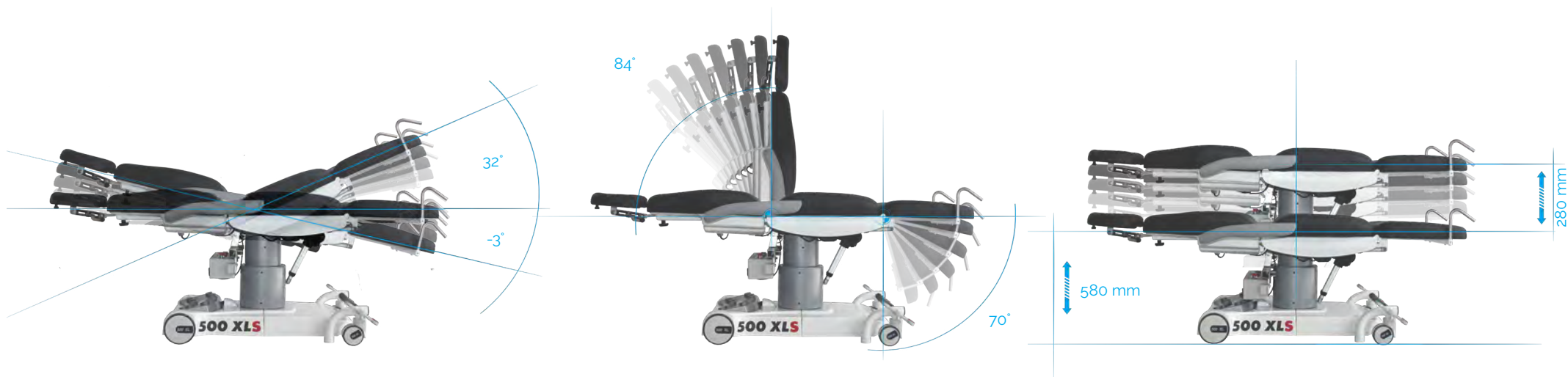
Electric Drives

- Back, seat, leg part, total up / down
- Trendelenburg / Reverse Trendelenburg

Lifting column

- Max. lifting 280 mm
- Max. patient weight 200 kg
- Motors IP54 with HAL sensors, to be memorized

Height adjustment



Powerful accumulators

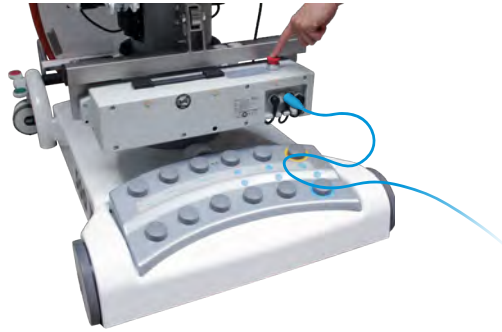
- Battery box with 2 batteries (lead-gel), pollution free, maintenance-free, cadmium-free 2 x 12 V 7,2 Ah
- As back-up-system exchangeable without tools
- Acoustic low voltage signal for discharge protection
- Universal battery charger Input: 100-240 V Output: 30 V

Operating time per battery charge

- Measured by operating circle (Prepare-Operate-Recover) 100 OPs
- Quantity of operating circles depends on individual operation

Mains-free operation

Easy recharging of the equipment thanks to charging adapter and integrated battery charger circuit board.



Simple battery replacement

Extra security thanks to exchangeable battery box. Easy replacement of discharged battery boxes.



Further technical details

- Chair has detachable, swiveling armrests made completely with PUR foam
- All touchable metal parts are grounded
- Detachable seat for service friendly access to electric components

- Max. load 200 kg
- Weight 100 kg

Subject to technical modifications.

Equipment protection - cover drape *stayClean*

100x73 cm, box á 240 Pieces
4x60 Pieces

Item No.: 3016 0001

200x73 cm, box á 160 Pieces
4x40 Pieces

Item No.: 3034 0014

Page 72



Colour card

Standard colour

anthracite Item No.: 3037 0052

„Pandoria Plus“
Page 109

„Tundra skai“
Page 108



Accessories



FUNCTIONAL
CLASS



500 XLS
Item No. : 1500 0005



Backup battery

Item No.: 3047 0000



I.V.Pole stainless steel
Ø 25 / 18 mm, one-hand
height-adjustable 1070-1660 mm,
4 hooks, max. 2 kg 84,4 lbs/hook,
glass and holder

Item No. 3068 0000



Hand control holder

Item No.: 3351 1023



Hand control holder for attachment onto an I.V. Pole
Ø 25/18 mm, PVC

Item No.: 3351 1022



Inlay head pillow

Item No.: 3325 0000



Padded arm board with universal joint, with wrist secure straps

Item No. 3078 0000



Norm rail 300 mm, seat part

Item No.: 3321 0000



Norm rail, back part

Item No.: 3320 0000



Instrument table
50 x 30 x 1.5 cm,
height adjustable, swiveling,
detachable, incl. adapter

Item No.: 3065 0000



Trapeze cushion, wedge, for back/seat part, black

Item No.: 3022 0005



Half round bolster pillow
60 x 28 x 14cm,
cushions knees,
PUD-coated

Item No.: 3019 0000



Full round bolster pillow,
cushions knees,
50 x 15 cm,
PUD-coated

Item No.: 3050 0000



Wrist secure straps, pair

Item No.: 3015 0000



Bodystrap with
Velcro straps 2-piece

Item No.: 3083 0000



Side rails (right+left)
swiveling incl. locking,
upholstered

Item No.: 3351 1036



Foot protection foil

Item No.: 3326 0000



Monitor arm stainless steel,
swiveling, incl. extendible I.V.
Pole Ø 25 mm

Item No.: 3024 0014



Monitor arm stainless
steel, not swiveling, incl.
extendible I.V. Pole Ø 25 mm

Item No.: 3351 0037



Additional handles, pair

Item No. 3069 0000



Flexible surgical drape
support rod with air
connection, incl. norm rail
33200000 and mounting
clamp 30900000

Item No. 3351 0009



Flexible surgical drape
support rod, incl. norm rail
3320 0000 and mounting
clamp 3090 0000

Item No.: 3351 0010



Instrument table
supportLine
height adjustable 73-98,5 cm
Item No.: 3351 0026
supportLinePlus
height adjustable 93-118,5 cm
Item No.: 3351 0045



stayClean
cover drape for treatment chair,
100 x 73 cm, box à 240 pieces
Item No.: 3016 0001
200x73 cm, box à 160 pieces
Item No.:3034 0014

Upgrade your OR to perfection.



eyeForce



500 XLE



500 XLE comfort



500 bariatric



500 XLS



500 ECO



400 XL



motionLine



motionLine-E



surgiForce



surgiForce light



surgiTrend



surgiLine



stayClean wipes



stayClean



staySoft



stayClean roll



assistTrend



assistPro F



assistPro H



easyPro F



easyPro H



easyPro R



assistLine



supportLine



supportLine plus

CONTACT US



UFSK-International OSYS GmbH
Kirchhoffstraße 1
93055 Regensburg
Germany

Phone +49(0)941 78862 15
Fax +49(0)941 78862 35
Mail info@ufsk-osys.com
Web ufsk-osys.com

MADE IN GERMANY
Design | Construction | Manufacturing